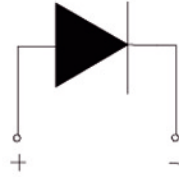
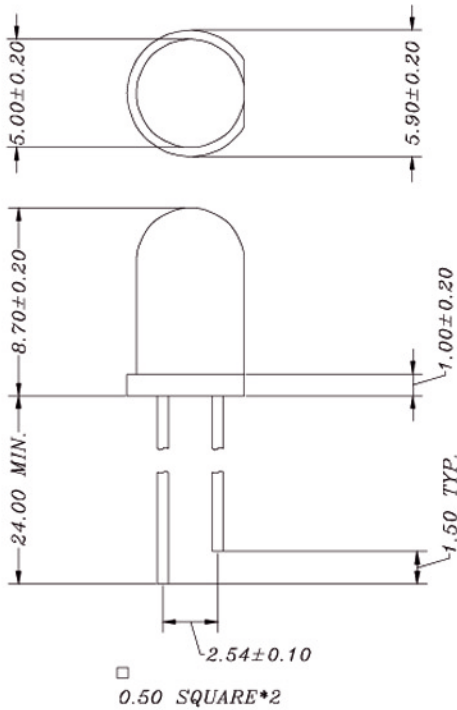


Package Dimensions



- Notes: 1. All dimensions are in millimeters (inches).
 2. Tolerance is $\pm 0.25\text{mm}$ (.010") unless otherwise noted.
 3. Protruded resin under flange is 1.0mm (.04") max.
 4. Lead spacing is measured where the leads emerge from the package.
 5. Specifications are subject to change without notice.

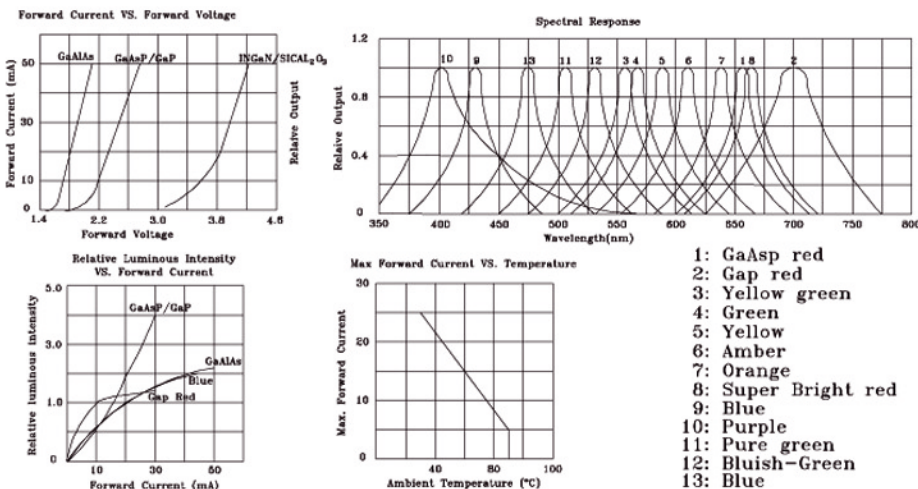
Absolute Maximum Ratings at TA=25°C

Parameter	Maximum Rating	Unit
Power Dissipation	80	mW
Peak Forward Current (1/10 Duty Cycle, 0.1ms Pulse Width)	100	mA
Continuous Forward Current	20	mA
Operating Temperature Range	-20°C to + 80°C	
Storage Temperature Range	-30°C to + 100°C	
Lead Soldering Temperature [1.6mm(.063") From Body]	240°C for 5 Seconds	

Electrical / Optical Characteristics at TA=25°C

Parameter	Symbol	Min.	Typ.	Max.	Unit	Test Condition
Luminous Intensity	I_v	8000	10000		mcd	IF = 20mA
Viewing Angle	$2\theta_{1/2}$		15		deg	IF = 20mA
Chromaticity Coordinates	X	0.23		0.32		IF = 20mA
	Y	0.20		0.32		
Forward Voltage	V_F	2.8	3.7	4.2	V	IF = 20mA
Reverse Current	IR			100	μA	VR = 5V

TYPICAL ELECTRON-OPTICAL CHARACTERISTIC CURVES 25°C Free Air Temperature Unless Otherwise Specified



- 1: GaAsP red
- 2: Gap red
- 3: Yellow green
- 4: Green
- 5: Yellow
- 6: Amber
- 7: Orange
- 8: Super Bright red
- 9: Blue
- 10: Purple
- 11: Pure green
- 12: Bluish-Green
- 13: Blue

